

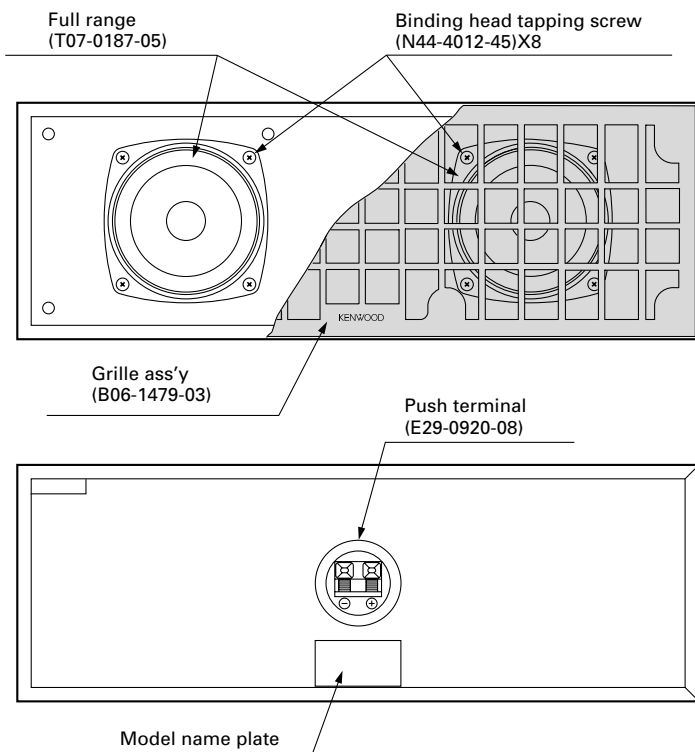
FULL RANGE SPEAKER SYSTEM  
**CRS-177-W**  
 SERVICE MANUAL

**KENWOOD**

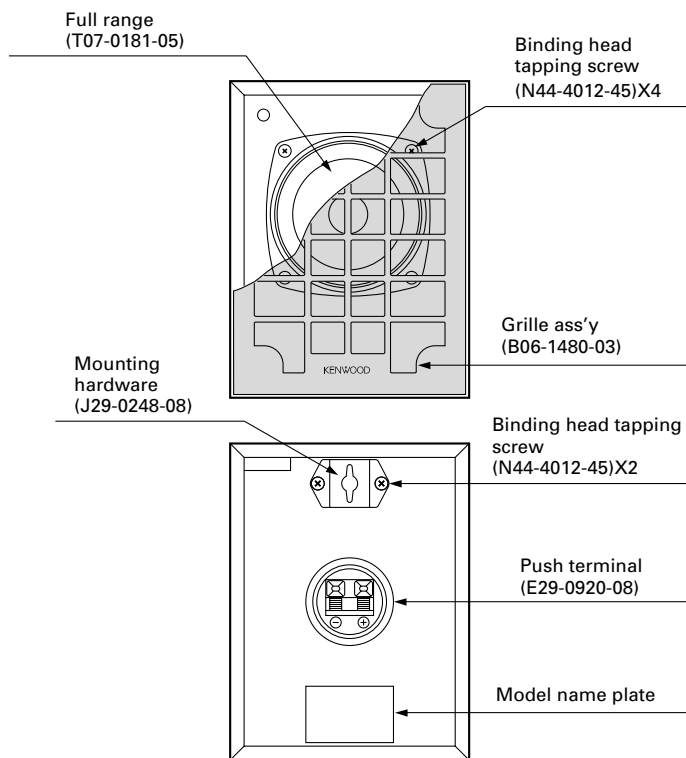
©2000-6/B51-5650-00 (K)598

**EXTERNAL VIEW**

**CENTER SPEAKER**



**REAR SPEAKER**



**SPECIFICATIONS**

<b>System</b> .....	Center speaker .....	Rear speaker
<b>Enclosure</b> .....	Acoustic Air Suspension .....	Acoustic Air Suspension
<b>Loudspeaker</b> .....	Full Range 10 cm (4") Cone typeX2 .....	Full Range 10 cm (4") Cone type
<b>Nominal Impedance</b> .....	8Ω .....	8Ω
<b>Maximum Input Power</b> .....	100W .....	40W
<b>Rated Input Power</b> .....	50W .....	20W
<b>Sensitivity</b> .....	89dB/W at 1m .....	88dB/W at 1m
<b>Frequency Response</b> .....	70 Hz ~ 20,000 Hz .....	80 Hz ~ 20,000 Hz
<b>Dimensions</b> .....	Width: 440mm (17-5/16") .....	150mm (5-7/8")
	Height: 150mm (5-7/8") .....	200mm (7-7/8")
	Depth: 162mm (6-3/8") .....	148mm (5-13/16")
<b>Net Weight</b> .....	3.2kg (7.0lb) .....	1.4kg (3.1lb)
<b>Enclosure Finish</b> .....	High density particle laminated with P.V.C sheet	
<b>Accessories</b> .....	Speaker cord 3m X3	

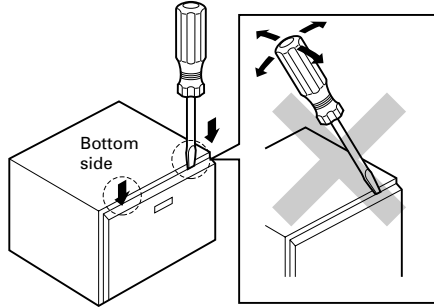
**Note:**

KENWOOD follows a policy of continuous advancements in development. For this reason specifications may be changed without notice.

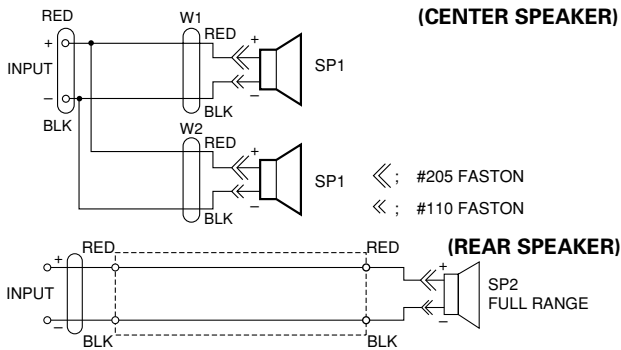
# CRS-177-W

## DISASSEMBLY FOR REPAIR/SCHEMATIC DIAGRAM/PARTS LIST/PACKING

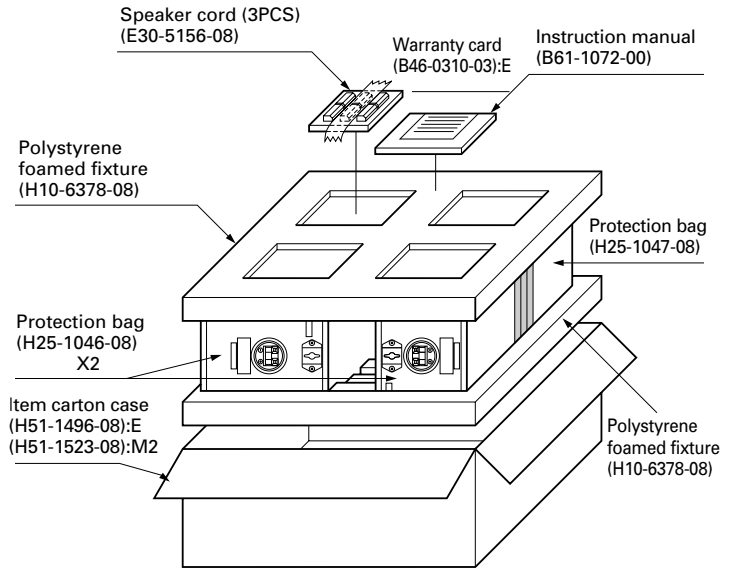
### DISASSEMBLY FOR REPAIR



### SCHEMATIC DIAGRAM



### PACKING



### PARTS LIST

\* New Parts  
 Parts without **Parts No.** are not supplied.  
 Les articles non mentionnes dans le **Parts No.** ne sont pas fournis.  
 Teile ohne **Parts No.** werden nicht geliefert.

Ref. No.	Address	New Parts	Parts No.	Description	Destination	Remarks
<b>CRS-177-W</b>						
-		*	B46-0310-03	WARRANTY CARD	E	
-			B61-1072-00	INSTRUCTION MANUAL		
-			E30-5156-08	SPEAKER CORD		
-			H10-6378-08	POLYSTYRENE FOAMED FIXTURE		
-			H25-1046-08	PROTECTION BAG		
-			H25-1047-08	PROTECTION BAG		
-		*	H51-1496-08	ITEM CARTON CASE	E	
-		*	H51-1523-08	ITEM CARTON CASE	M2	
<b>CENTER SPEAKER(X20-1590-21:M2, 2-71:E)</b>						
-		*	B06-1479-03	GRILLE ASSY		
-			E29-0920-08	PUSH TERMINAL		
SP1			T07-0187-05	FULLRANGE		
<b>REAR SPEAKER(X20-1600-21:M2, 2-71:E)</b>						
-	*		B06-1480-03	GRILLE ASSY		
-			E29-0920-08	PUSH TERMINAL		
-			J29-0248-08	MOUNTING HARDWARE		
SP2			T07-0181-05	FULLRANGE		

L: Scandinavia    K: USA    P: Canada    R: Mexico    C: China    I: Malaysia  
 Y: PX(For East Hawaii)    T: England    E: Europe    G: Germany    V: China(Shanghai)  
 Y: AAFES(Europe)    X: Australia    Q: Russia    H: Korea    M: Other Areas    ⚠ indicates safety critical components.